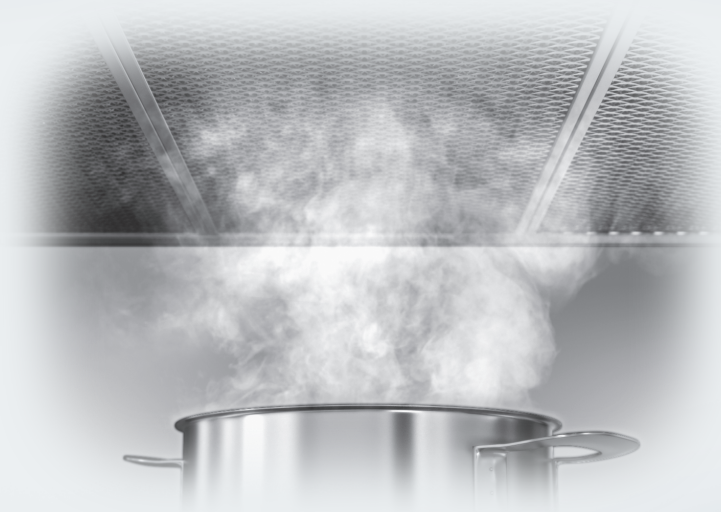


Operating and installation instructions

Cooker hood



To prevent the risk of accidents or damage to the appliance, it is **essential** to read these instructions before it is installed and used for the first time.

Contents

Warning and Safety instructions	4
Caring for the environment	13
Modes of operation	14
Con@ctivity 2.0 function	15
Guide to the appliance	16
Operation (Automatic mode)	18
Cooking with Con@ctivity 2.0 (Automatic mode).....	18
Leaving automatic mode temporarily.....	20
Returning to automatic mode	20
Operation (Manual mode)	21
Cooking without Con@ctivity 2.0 (Manual mode)	21
Remote control	21
Extending the deflector plate, switching the fan on.....	21
Selecting the power level.....	22
Selecting the run-on time.....	22
Switching the fan off	22
Dimming/switching the hob lighting on/off.....	23
Power management	23
Operation (Automatic and Manual modes)	25
Operating hours counters	25
Altering the operating hours counter for the grease filters	25
Activating and altering the charcoal filter operating hours counter	26
Reading the filter operating hours counter	27
Energy saving tips	28
Cleaning and care	29
Casing.....	29
Grease filters	30
Charcoal filters	32
Resetting the charcoal filter operating hours counter.....	33
Disposing of the charcoal filters	33
Remote control	34
Cleaning the remote control	34
Changing the battery	34
After Sales / Guarantee	35
Position of the data plate	35

Installation	36
Appliance dimensions.....	36
Safety distance between hob and cooker hood (S).....	38
Installation recommendations.....	39
Before installation	39
Assembly parts	40
Exhaust socket	50
Setting up for recirculation mode	51
Electrical connection.....	51
Electrical connection	52
Connection for air extraction	53
Condensate trap	54
Silencer	54
Activating Con@ctivity 2.0	56
Installing the Con@ctivity 2.0 Stick.....	56
Activating Con@ctivity 2.0	56
Activating the cooker hood.....	56
Activating the hob.....	57
Activation failed	57
Deactivating Con@ctivity 2.0	57
Signing on/off the remote control	58
Technical data	60
Conformity declaration.....	60
Data sheet for domestic cooker hoods	61
Data sheet for domestic cooker hoods	62

Warning and Safety instructions

This appliance complies with all relevant local and national safety requirements. Inappropriate use can, however, lead to personal injury and damage to property.

To avoid the risk of accidents and damage to the appliance, please read these instructions carefully before using it for the first time. They contain important notes on the safety, installation, use and maintenance of the appliance. Miele cannot be held liable for non-compliance with these instructions.

Keep these instructions in a safe place and ensure that all users are familiar with the contents. Pass them on to any future owner of the appliance.

Correct application

- ▶ This cooker hood is intended for use in domestic households and similar working and residential environments.
- ▶ The cooker hood is not intended for outdoor use.
- ▶ It must only be used as a domestic appliance to extract vapours and remove odours from cooking. Any other usage is not supported by the manufacturer and could be dangerous.
- ▶ The cooker hood can only be used by people with reduced physical, sensory or mental capabilities, or lack of experience and knowledge, if they are supervised whilst using it, or have been shown how to use it in a safe way and recognise and understand the consequences of incorrect operation.

Safety with children

- ▶ Children under 8 years of age must be kept away from the cooker hood unless they are constantly supervised.
- ▶ Children 8 years and older may only use the cooker hood unsupervised if they have been shown how to use it safely and recognise and understand the consequences of incorrect operation.
- ▶ Children must not be allowed to clean or maintain the cooker hood unsupervised.
- ▶ Please supervise children in the vicinity of the cooker hood and do not let them play with it.
- ▶ Danger of suffocation. Packaging, e.g. plastic wrappings, must be kept out of the reach of babies and children. Whilst playing, children could become entangled in packaging or pull it over their head and suffocate.
- ▶ Keep the battery for the remote control out of the reach of children.

Warning and Safety instructions

Technical safety

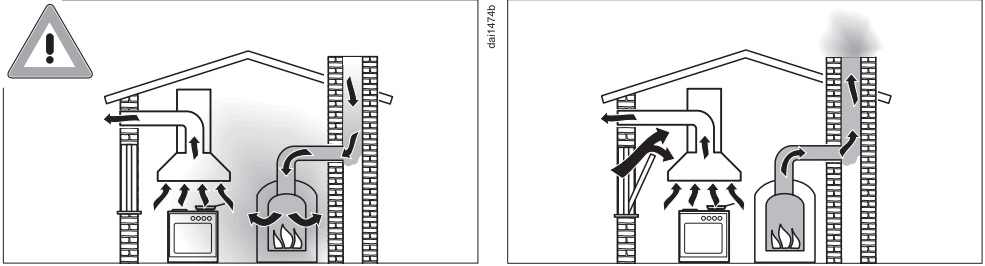
- ▶ Unauthorised installation, maintenance and repairs can cause considerable danger for the user. Installation, maintenance and repairs must only be carried out by a Miele authorised technician.
- ▶ A damaged appliance can be dangerous. Check it for visible signs of damage. Do not use a damaged appliance.
- ▶ The electrical safety of this appliance can only be guaranteed when correctly earthed. It is essential that this standard safety requirement is met. If in any doubt please have the electrical installation tested by a qualified electrician.
- ▶ Reliable and safe operation of this cooker hood can only be assured if it has been connected to the mains electricity supply.
- ▶ Before connecting the appliance to the mains supply, ensure that the connection data on the data plate (voltage and frequency) match the mains electricity supply. This data must correspond in order to avoid the risk of damage to the appliance. Consult a qualified electrician if in any doubt.
- ▶ Do not connect the appliance to the mains electricity supply by a multi-socket unit or an extension lead. These are a fire hazard and do not guarantee the required safety of the appliance.
- ▶ For appliances with an external motor fitted (...EXT models) the connection of the two units must be made using the connection cable and the plug connectors.
These models may only be combined with a Miele external motor.

Warning and Safety instructions

- ▶ For safety reasons, this appliance may only be used after it has been built in.
- ▶ The cooker hood must not be used in a non-stationary location (e.g. on a ship).
- ▶ Tampering with electrical connections or components and mechanical parts is highly dangerous to the user and can cause operational faults.
Only open the housing as described in the instructions given in the installation sheet and in the Cleaning and care section of this booklet. Under no circumstances should any other parts of the housing be opened.
- ▶ The manufacturer's warranty will be invalidated if the appliance is not repaired by a Miele approved service technician.
- ▶ Miele can only guarantee the safety of the appliance when genuine original Miele replacement parts are used. Faulty components must only be replaced by Miele spare parts.
- ▶ If the electrical connection cable is faulty it must only be replaced by a Miele authorised service technician to protect the user from danger.
- ▶ During installation, maintenance and repair work, the appliance must be disconnected from the mains electricity supply.

Warning and Safety instructions

Using at the same time as other heating appliances that depend on the air from the room



Warning - danger of toxic fumes

Great care should be taken when using the cooker hood at the same time and in the same room or area of the house as another heating appliance which depends on the air in the room.

Such appliances include gas, oil, wood or coal-fired boilers and heaters, continuous flow or other water heaters, gas hobs, cookers or ovens which draw air in from the room and duct exhaust gases out through a chimney or extraction ducting.

When used in extraction mode, with or without an external motor fitted, or in recirculation mode with a recirculation box installed outside the room, the appliance draws air in from the room in which it is installed and from neighbouring rooms.

If there is insufficient air, an underpressure will occur. The heating appliance will be starved of oxygen, impairing combustion. Harmful gases could be drawn out of the chimney or extraction ducting back into the room, with potentially fatal consequences.

Warning and Safety instructions

In order to ensure safe operation, and to prevent gases given off by the heating appliances from being drawn back into the room when the cooker hood and the heater are in operation simultaneously, an underpressure in the room of 0.04 mbar (4 pa) is the maximum permissible.

Ventilation can be maintained by air inlets which cannot be blocked, in windows, doors or outside wall vents, or by other technical measures, such as ensuring that the cooker hood can only be switched on when the heating appliance is switched off or vice versa. A ventilation brick alone is not generally sufficient to ensure safe ventilation.

The overall ventilation condition of the dwelling must be taken into account. If in any doubt, the advice of a competent builder or, for gas a qualified gas fitter (registered with an official gas safety body in accordance with national safety regulations, GasSafe in the UK) must be sought.

If the cooker hood is used in recirculation mode, where the air is directed back into the room in which it is located, operating a heating appliance which depends on the room air at the same time is no cause for concern.

Warning and Safety instructions

Correct use

- ▶ Never use a naked flame beneath the cooker hood. To avoid the danger of fire, do not flambé or grill over a naked flame. When switched on, the cooker hood could draw flames into the filter. Fat deposits could ignite, presenting a fire hazard.
- ▶ The cooker hood can become damaged when exposed to excessive heat.
 - When using the cooker hood over a gas hob, ensure that any burners in use are always covered by a pan. Switch the cooking zone off when a pan is removed, even for a short time.
 - Select a pan which is suitable for the size of the burner.
 - Regulate the flame so that it does not burn up the sides of the pan.
 - Avoid overheating the pan (e.g. when cooking with a wok).
- ▶ Always switch the cooker hood on when a cooking zone is in use, otherwise condensation may collect in the hood, which could cause corrosion.
- ▶ When cooking with oil or fat, chip pans and deep fat fryers etc, do not leave the pans unattended. Never leave an open grill unattended when grilling. Overheated oil and fat can ignite and could set the cooker hood on fire.

Warning and Safety instructions

▶ Do not use the cooker hood without the filters in place. This way you will avoid the risk of grease and dirt getting into the appliance and hindering its smooth operation.

▶ There is a risk of fire if the cooker hood is not cleaned as described in these operating instructions.

▶ The cooker hood can get very hot during cooking due to heat rising from the hob.

Do not touch the housing or the grease filters until the cooker hood has cooled down.

Correct installation

▶ Refer to the cooker or hob manufacturer's instructions as to whether a cooker hood may be operated above the cooker/hob.

▶ Safety regulations prohibit the fitting of a cooker hood over solid fuel stoves.

▶ Insufficient distance between the cooker or hob and the cooker hood can result in damage to the hood.

The minimum safety distances between the top of the cooker or hob and the bottom of the cooker hood given in the "Installation" section must be maintained, unless the hob manufacturer states that a greater distance is required.

If more than one cooking appliance is fitted beneath the cooker hood, and they have different minimum safety distances to the cooker hood, select the greater distance.

▶ The distances given in "Installation" must be observed when fitting the cooker hood.

▶ Exhaust ducting must be of non-inflammable material. Suitable material is available from Miele specialist dealers or the Miele Spares Dept.

▶ The appliance must not be connected to a chimney or flue which is in use. Neither should it be connected to ducting which ventilates rooms with fireplaces.

Warning and Safety instructions

▶ If exhaust air is to be extracted into a chimney or ventilation duct no longer used for other purposes, seek professional advice.

Cleaning and care

▶ Do not use a steam cleaning appliance to clean this appliance. The steam could reach electrical components and cause a short circuit.

▶ Important information on handling the remote control battery:

- Do not short circuit or recharge the battery, or throw it into a fire. Danger of explosion.
- Do not throw old batteries away with your general household waste. Please dispose of them in a designated battery collection and recycling system.

Accessories

▶ Only use genuine original Miele accessories with this appliance. Using accessories from other manufacturers will invalidate the guarantee, and Miele cannot accept liability.

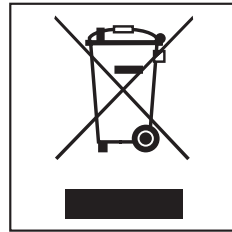
Disposal of the packing material

The packaging is designed to protect the appliance from damage during transportation. The packaging materials used are selected from materials which are environmentally friendly for disposal and should be recycled.

Recycling the packaging reduces the use of raw materials in the manufacturing process and also reduces the amount of waste in landfill sites.

Disposal of your old appliance

Electrical and electronic appliances often contain valuable materials. They also contain materials which, if handled or disposed of incorrectly, could be potentially hazardous to human health and to the environment. They are, however, essential for the correct functioning of your appliance. Please do not therefore dispose of it with your household waste.



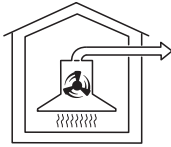
Please dispose of it at your local community waste collection / recycling centre or contact your Dealer for advice.

Ensure that it presents no danger to children while being stored for disposal.

Modes of operation

Depending on the model of the cooker hood, the following options are available:

Extraction mode



da10094a

The air is drawn in and cleaned by the grease filters and directed outside.

Non-return flap

The non-return flap is designed to prevent the exchange of room and outside air taking place.

The flap is closed when the cooker hood is switched off.

When the cooker hood is switched on, the non-return flap opens for the cooking vapours to be blown directly outside.

If the on-site ventilation system does not have a non-return flap, the non-return flap supplied must be fitted in the exhaust socket in the motor unit.

Recirculation mode

(recirculation mode cooker hoods require a conversion kit and charcoal filters: see "Technical Data")



da10094b

The air is drawn in and cleaned first by the grease filters and then by the charcoal filters. The cleaned air is then recirculated back into the kitchen.

Operation with an external motor

(...EXT model cooker hoods)



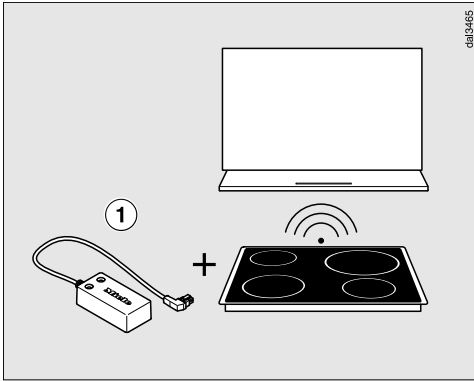
da10094c

Cooker hoods set up for operation with an external motor have to be connected to a Miele external motor located in a suitable position outside the room in which the cooker hood is installed. The external motor is linked to the cooker hood via a connection cable and then operated using Con@ctivity 2.0 or via the controls on the remote control or the cooker hood.

Con@ctivity 2.0 function

Automatic control

The cooker hood has a communication facility which enables the automatic operation of the cooker hood depending on the operational state of the hob.



To make use of the communication facility the hob must be fitted with a Con@ctivity 2.0 stick ①.

Refer to the installation instructions for the Con@ctivity 2.0 stick to check whether it is compatible with your hob.

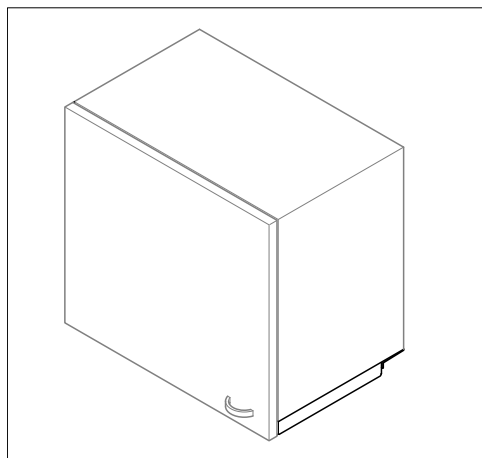
To use the Con@ctivity 2.0 function, a wireless connection must be established between the hob and the cooker hood (see "Activating Con@ctivity 2.0").

The hob transmits information about its operational status via a radio signal to the cooker hood.

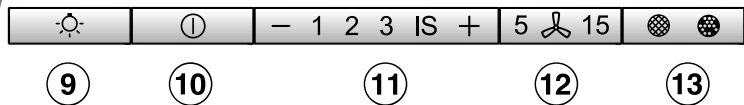
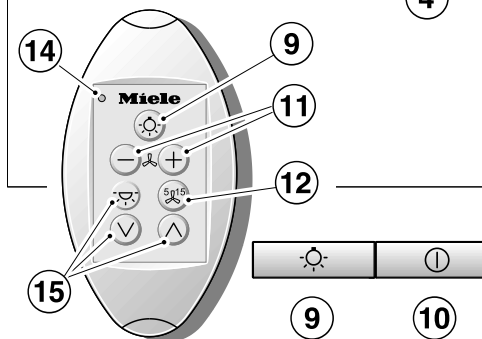
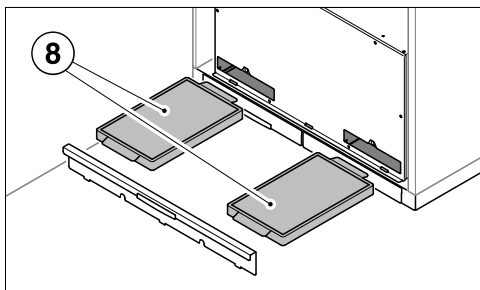
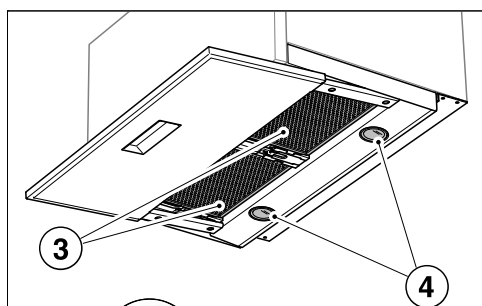
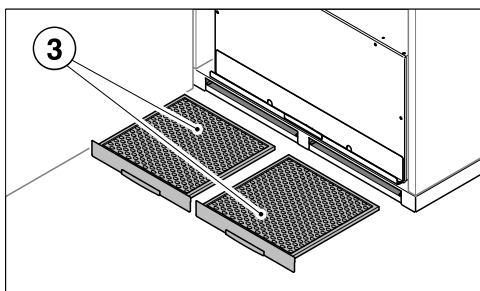
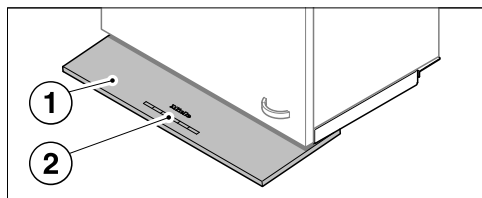
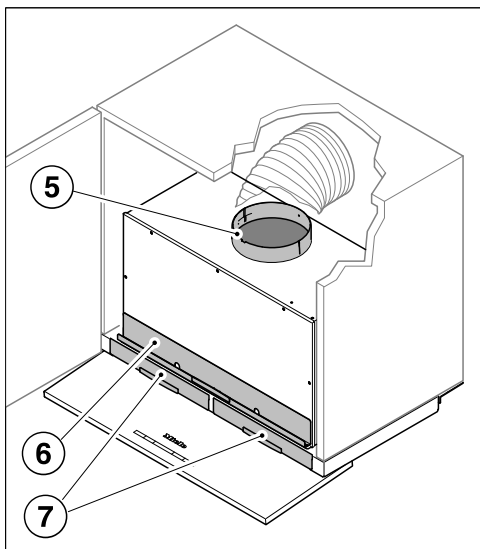
- When the hob is switched on, the hob lighting comes on independently and the fan also switches on and the deflector plate comes out.
- During cooking the cooker hood automatically sets the power level according to the number of cooking zones in operation and their power levels.
- After the hob has been switched off, the cooker hood fan and the hob lighting will switch off and the deflector plate will go back in.

See "Operation" for detailed information about this function.

Guide to the appliance



6613464



- ① Retractable deflector plate
- ② Controls
- ③ Grease filters
- ④ Hob lighting
- ⑤ Exhaust socket
The exhaust socket can also be fitted at the back.
- ⑥ Slots for the charcoal filters
- ⑦ Slots for the grease filters
- ⑧ Charcoal filters
(required for recirculation mode)
- ⑨ Hob lighting control
- ⑩ On/off control for the retractable deflector plate and the fan
- ⑪ Controls to select the fan power level
The controls on the remote control are also used to extend and retract the deflector plate and to switch the fan on and off.
- ⑫ Run-on option control
- ⑬ Operating hours control
- ⑭ LED light
- ⑮ Controls for programming

Operation (Automatic mode)

When Con@ctivity 2.0 is activated, the cooker hood always works in automatic mode (see "Activating Con@ctivity 2.0").

To operate the cooker hood manually, see "Cooking without Con@ctivity 2.0".

Cooking with Con@ctivity 2.0 (Automatic mode)

- Switch a cooking zone on at the power level you want.

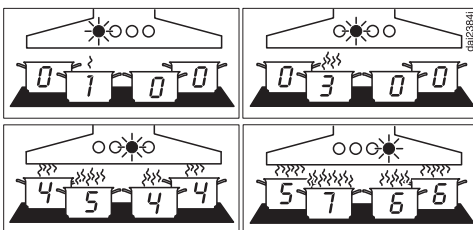
The cooker hood lighting will come on.

After a few seconds the fan will come on, first at power level **2**, then it will switch immediately to power level **1**. The deflector plate will come out.

The cooker hood selects the power level automatically during cooking.

This is determined by the total output of the hob, i.e, the number of cooking zones in operation and the power levels selected.

- If you select a higher power level or are using several cooking zones, the cooker hood will switch to a higher power level.
- When you reduce the power level or the number of cooking zones on the hob, the cooker hood power level is also reduced.



Examples for power levels 1 to 4

Reaction time

The cooker hood reacts with a slight delay because altering the power level on the hob does not immediately result in a reduction or increase in cooking vapours.

Because the hob transmits the information to the cooker hood at intervals, this can also cause delays.

The reaction can vary from a few seconds to a couple of minutes.

Cooking process

- If for example you switch on a cooking zone at the highest power level to heat a pan for frying and reduce the power level after approx. 60 to 90 seconds*, a cooking process is recognised (*60 seconds to 5 minutes for a HiLight hob).

The cooker hood switches itself on and when the hob power level has been reduced, the hood switches to power level 3 and remains at that level for approx. 5 minutes.

After that the cooker hood power level is determined automatically by the Con@ctivity function.

- You can select another power level manually before then.

Switching off

- Switch off all cooking zones.

The cooker hood fan will reduce its power level over the next few minutes and will eventually switch itself off.

This helps to neutralise any lingering vapours and odours in the air.


- From the intensive setting IS the fan switches immediately to level 3.
- From level 3, it switches to level 2 after approx. 1 minute.
- From level 2 it switches to level 1 after approx. 2 minutes
- After 2 minutes at level 1 the fan switches itself off. The deflector plate goes back in.
- After another 30 seconds the lighting switches off.

The cooking process is then finished.

Operation (Automatic mode)

Leaving automatic mode temporarily

To leave automatic mode temporarily during cooking:

- Manually select a different power level, or
- Manually switch the cooker hood off, or
- Activate the cooker hood run-on option . The fan will switch off after the selected time and the lighting remains switched on.

The cooker hood can now be operated manually (see "Cooking without Con@ctivity 2.0").

Returning to automatic mode

The cooker hood returns to automatic mode:

- if the cooker hood has not been used for approx. 5 minutes after selecting a power level manually, or
- if the manually selected fan power level corresponds to the automatic one again, or
- if the cooker hood fan and the hob have been switched off for at least 30 seconds.
Automatic mode will resume next time the hob is switched on.
- If you wish to operate the cooker hood manually for a complete cooking process, switch on the cooker hood fan **before** switching on the hob.
If the cooker hood and the hob have been switched off for at least 30 seconds after cooking, automatic mode will resume the next time the hob is switched on.

Cooking without Con@ctivity 2.0 (Manual mode)

The cooker hood can be operated manually if:

- Con@ctivity 2.0 is not activated.
- You have temporarily deactivated Con@ctivity 2.0 (see "Leaving automatic mode temporarily").

Remote control

The main functions can be selected via the cooker hood or by remote control. The LED light on the remote control unit will light up briefly when a function is selected by remote control.

The maximum operating range of the remote control is approx. 10 m. However, this may be less depending on the physical conditions present in the room (e.g. furniture, walls).

The rear of the remote control unit is magnetic which allows it to be attached to various metal surfaces.

Extending the deflector plate, switching the fan on

- Press the "+" button on the remote control.

The deflector plate will come out. The fan will switch on at level **2**. The ① symbol and **2** will light up in the power level display.

Operation (Manual mode)

Selecting the power level

For light to heavy cooking vapours and odours, select from power levels **1** to **3**.

When frying or cooking food with a very strong aroma, select the Intensive setting **IS**.

- For a lower power level, press the "-" control, or "+" for a higher level.




Reducing power on the intensive setting

If Power management is activated (default), the fan automatically switches to level **3** after 5 minutes.


Selecting the run-on time

It is advisable to run the fan for a few minutes after cooking has finished to neutralise any lingering vapours and odours in the air.

With the run-on option the fan switches itself off automatically and the deflector plate retracts after a pre-selected time.

- After you have finished cooking, press the run-on option control **5**  **15**
 - Once: the fan will switch itself off after 5 minutes and the deflector plate will go back in (**5** lights up).
 - Twice: the fan will switch itself off after 15 minutes and the deflector plate will go back in (**15** lights up).
 - If you press the run-on option control **5**  **15** again, the fan will remain on (**5**  **15** will go out).

Switching the fan off

- Press the On/Off control  on the cooker hood or the "-" control on the remote control repeatedly until the fan switches off.

The fan will switch off and the deflector plate will go back in.


If the cooker hood is switched on again whilst the deflector plate is going in, the deflector plate will come back out again and then may retract again slightly.

- If this happens you must switch the cooker hood off and wait until the deflector plate has completely retracted.



The next time you switch the cooker hood on the deflector plate will come back out again correctly.

Dimming/switching the hob lighting on/off

The hob lighting can be switched on and off and dimmed regardless of whether the deflector plate is extended or retracted.

- Press the lighting control  briefly to switch it on and off.

The lighting will switch on at maximum brightness.

- With the hob lighting switched on, press and hold the hob lighting control  in. The brightness will gradually dim until you release the control.
- Press the lighting control  in again to increase the brightness to the level required and then release it.

Power management

The cooker hood features a power management system for saving energy. It is used for switching off the lighting, reducing the fan power level and retracting the deflector plate automatically when the cooker hood is no longer being used.

- If the Intensive setting has been selected the cooker hood will automatically switch to power level 3 after 5 minutes.
- When the cooker hood has been switched on but not used for 2 hours, the power will be reduced by one level at a time in 30 minute stages until the fan finally switches off. The deflector plate will go back in.
- The hob lighting will switch off automatically after 12 hours.

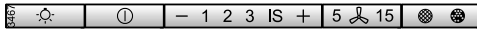
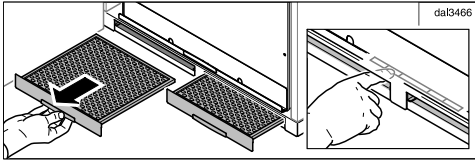
Operation (Manual mode)

Switching Power management on/off

You can deactivate Power management.


This can however result in increased electricity consumption.

- Switch off the cooker hood. The deflector plate must be retracted.





- Remove the grease filters.

The controls are accessible via the slots for the grease filters.

- Press the run-on option control **5**  **15** for approx. 10 seconds, until **1** lights up in the power level display.

- Then press in turn,

- the lighting control ,
- the "—" control and then
- the lighting control  again.

If Power management is switched on, the **1** and **IS** indicators will light up constantly.

If it is switched off, **1** and **IS** will flash.

- Press "—" to switch Power management off.

The **1** and **IS** indicators will flash.

- To switch it on, press "+".

The **1** and **IS** indicators will light up constantly.

- Confirm the setting with the run-on option control **5**  **15**.



All the indicator lamps will go out

If you do not confirm within 4 minutes, the cooker hood will revert to the old setting.

Operation (Automatic and Manual modes)

Operating hours counters

The number of hours the appliance has been in operation is stored in memory.

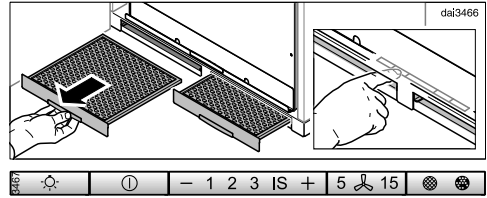
When the Grease filter symbol  or the Charcoal filter symbol  lights up, the operating hours counters are signalling that the filters need to be cleaned or changed. Further information about cleaning and changing the filters and resetting the operating hours counter can be found under "Cleaning and care".

Altering the operating hours counter for the grease filters

You can set the operating hours counter to suit the type of cooking you do.




It is set at the factory for 30 hours.


- Select a shorter time of 20 hours if you fry a lot.
 - If you only cook occasionally we recommend that you still select a short time because grease which has built up gradually over a long period of time will harden on the filter and make cleaning more difficult.
 - Select a longer time of 40 or 50 hours if you use very little fat for cooking.
- Switch off the cooker hood. The deflector plate must be retracted.



- Remove the grease filters.



The controls are accessible via the slots for the grease filters.

- Press the run-on control  **15** and the operating hours control   at the same time.

The grease filter symbol  and one of the fan power level indicators will flash.

Fan power level indicators **1** to **IS** show the time set:

- 1** 20 hours
- 2** 30 hours
- 3** 40 hours
- IS** 50 hours

- Press the "-" symbol for a shorter operating time, or the "+" symbol to select a longer operating time.
- Confirm the selection by pressing the operating hours control  .

All the indicator lamps will go out

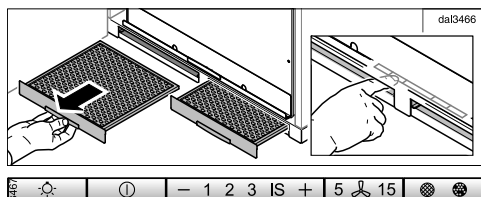
If you do not confirm within 4 minutes, the cooker hood will revert to the old setting.

Operation (Automatic and Manual modes)

Activating and altering the charcoal filter operating hours counter


In recirculation mode the operating hours counter for the charcoal filters needs to be activated once and the operating hours counter needs to be set to suit the kind of cooking you do.


- Switch off the cooker hood. The deflector plate must be retracted.



- Remove the grease filters.


The controls are accessible via the slots for the grease filters.

- Press the "+" symbol and the operating hours control  at the same time.

The Charcoal filter symbol  and one of the fan power levels will flash.

Fan power level indicators **1** to **IS** show the time set:

- 1**..... 120 hours
- 2**..... 180 hours
- 3**..... 240 hours
- IS** Deactivated

- Press the "-" symbol for a shorter operating time, or the "+" symbol to select a longer operating time.
- Confirm the selection by pressing the operating hours control .





All the indicator lamps will go out.

If you do not confirm within 4 minutes, the cooker hood will revert to the old setting.

Operation (Automatic and Manual modes)

Reading the filter operating hours counter

To check the percentage of time set already used

- Use the On/Off control  to switch the fan on.
- Press and hold the operating hours control 
- Once, to read the Grease filter operating hours. The grease filter symbol  lights up.
- Twice, to read the Charcoal filter operating hours. The Charcoal filter symbol  lights up.

One or more of the power level indicators will flash.

The number of fan power level indicators flashing shows the percentage of the operating time which has already been used up.

- 1** 25 %
- 1 and 2** 50 %
- 1 to 3** 75 %
- 1 to IS** 100 %

The number of operating hours used remains in the memory, even when the appliance is switched off or there is a power cut.

Energy saving tips

This cooker hood operates very efficiently and economically. The following will help you to save even more energy when using it:

- Ensure that there is sufficient ventilation in the kitchen when cooking. In extraction mode, if there is insufficient air flow the cooker hood cannot operate efficiently and this causes increased operating noise levels.
- Always cook with the lowest possible setting. This produces fewer cooking vapours, so you can use a lower cooker hood power level and therefore benefit from reduced energy consumption.
- Use the Con@ctivity function. The cooker hood will switch on and off automatically at the optimum power level for the cooking you are doing, which ensures low energy consumption.
- If you are operating the cooker hood manually, please note the following:
 - Check the power level selected on the cooker hood. A lower power level is generally sufficient for the majority of cooking. Only use the intensive setting when necessary.
 - When a large volume of cooking vapours are being produced, switch to a high power level in good time. This is more efficient than operating the cooker hood for longer to try to capture cooking vapours which have already been distributed throughout the kitchen.
- Make sure that you switch the cooker hood off after use. If cooking vapours and odours still need to be removed from the kitchen air after cooking, use the run-on function. The fan will switch off automatically after the selected run-on time.
- Clean or change the filters at regular intervals. Heavily soiled filters reduce performance, increase the risk of fire and are unhygienic.

Casing

General information

The surfaces and controls are susceptible to scratches and abrasion.

Please observe the following cleaning instructions.

- All external surfaces and controls can be cleaned using hot water with a small amount of washing-up liquid applied with a well wrung-out soft sponge or cloth.

Do not let moisture get into the cooker hood.

Only use a damp cloth when cleaning. This is particularly important around the controls.

- After cleaning, wipe the surfaces dry using a soft cloth.

Do not use:

- cleaning agents containing soda, acids, chlorides or solvents,
- abrasive cleaning agents, e.g. powder cleaners or cream cleaners and abrasive sponges, as well as pot scourers or sponges which have been used previously with abrasive cleaning agents. These will damage the surface material.

Important for appliances with stainless steel surfaces

(This information does not apply to the controls).

- Stainless steel surfaces can be cleaned with a proprietary non-abrasive cleaning agent designed specifically for use on stainless steel.
- To help prevent re-soiling, a proprietary conditioning agent for stainless steel (available from Miele) can also be used. Follow the manufacturer's instructions on the packaging.

Important for the controls

Do not leave soiling on the controls for any length of time.

Otherwise they may suffer discolouration or damage.

Remove soiling straight away.


- Please observe the general notes on cleaning earlier in this section.

Do not use stainless steel cleaning agents on the controls.

Cleaning and care


Grease filters

The re-usable metal grease filters in the appliance remove solid particles (grease, dust, etc.) from the kitchen vapours, preventing soiling of the cooker hood.

 An oversaturated filter is a fire hazard.

Cleaning interval

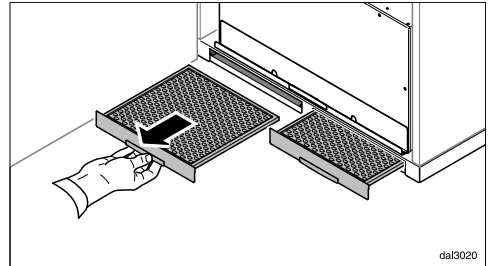
The grease filters should be cleaned regularly (at least every 3 - 4 weeks) to avoid a build-up of grease.

Clean them immediately if the Grease filter operating hours symbol  lights up.

- You can set the operating hours counter for the grease filters to suit the type of cooking you do (see "Operation").

Removing a grease filter

The grease filter can fall out when you are handling it. This can result in damage to the filter and the hob below. Make sure you hold the filter securely at all times when handling it.



- Remove the grease filters from the slots on the front of the housing

Cleaning the grease filters by hand

- Clean the filters with a soft nylon brush in a mild solution of hot water and a small amount of washing-up liquid. Do not use "neat" washing up liquid.

Unsuitable cleaning agents

Unsuitable cleaning agents can cause damage to the surface of the filters if used regularly.

Do not use:

- cleaning agents containing descaling agents
- powder cleaners, cream cleaners
- aggressive multi-purpose cleaning agents or spray cleaners for grease
- oven sprays

Cleaning the grease filters in the dishwasher

- Place the filters as upright as possible in the lower basket, with the short sides upright, ensuring the spray arm is not obstructed.
- Use a proprietary household dishwasher detergent.
- Select a dishwasher programme with a wash temperature between 50°C and 65°C.

Depending on the cleaning agent used, cleaning the filters in a dishwasher can cause permanent discolouration to the surface. However, this will not affect the functioning of the filters in any way.


After cleaning

- After cleaning, leave the filters to dry on an absorbent surface before replacing them.
- When removing the filters for cleaning, also clean off any residues of oil or fat from the now accessible housing to prevent the risk of these catching fire.
- Push the grease filters back in.

Cleaning and care


Resetting the grease filter operating hours counter

After cleaning, the operating hours counter needs to be re-set.

- Whilst the fan is switched on, press the operating hours control  for approx. 3 seconds, until only the 1 is flashing.

The grease filter symbol  goes out.

If you want to clean the grease filter(s) before the operating hours counter has reached its maximum,

- Press the operating hours control  for approx. 6 seconds, until only the 1 is flashing.

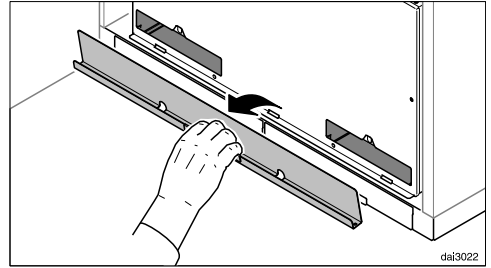
Charcoal filters

With recirculation mode, two charcoal filters must be fitted in addition to the grease filters. These are designed to absorb cooking odours.

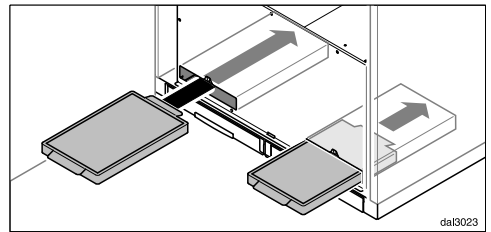
Charcoal filters can be obtained from your Miele dealer or via the internet at www.miele-shop.com. See end of this booklet for contact details, and "Technical data" for type and reference number.

Fitting/replacing charcoal filters

The slots for the charcoal filters are located above the grease filters.




- Remove the cover. It is held in place by magnets.
- Take the charcoal filters out of their packaging.



- Insert the charcoal filters in the slots.
- Replace the cover.
- When fitting for the first time, activate the operating hours counter (see "Operation").

When to change the charcoal filters




- Always replace the charcoal filters when they no longer absorb kitchen odours effectively. They should, however be replaced at least every 6 months.

The charcoal filter operating hours symbol  will light up to remind you to change the charcoal filters.



- The charcoal filter operating hours counter needs to be activated before using for the first time (see "Operation").

Resetting the charcoal filter operating hours counter

After changing the charcoal filters, the operating hours counter needs to be re-set.

- To do this, with the fan switched on, press the operating hours control   once, then press it again and hold it for approx. 3 seconds until only the **1** is flashing. The Charcoal filter symbol  will go out.

If you want to replace the charcoal filters **before** the operating hours counter has reached its maximum:

- Press the operating hours control   twice and hold it for approx. 6 seconds until only the **1** is flashing.

Disposing of the charcoal filters

- Used charcoal filters can be disposed of with the normal household waste.

Cleaning and care

Remote control

Cleaning the remote control

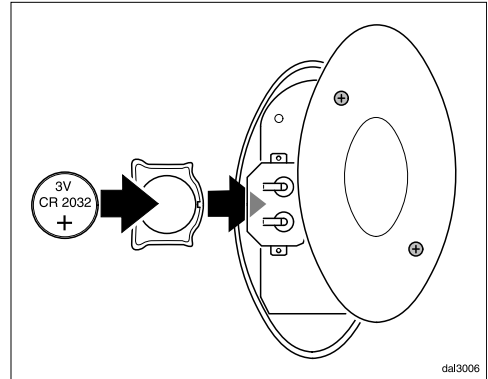
- Only clean the surface with a damp cloth. Do not use too much water to avoid moisture penetrating the casing.

Changing the battery

Use only the type of battery listed.
Do not use rechargeable batteries.

The remote control requires one 3 V CR 2032 battery.

The battery must be changed if cooker hood functions can no longer be selected using the remote control or if the LED light on the remote control does not light up, or only lights up dimly when a control is pressed. Cooker hood functions can still be selected using the cooker hood controls.



- Use a screwdriver to loosen the two screws on the back and remove the cover.
- Remove the old battery and replace with a new one, making sure the polarity is correct.
- Replace the cover.
- Dispose of the old battery responsibly.

In the event of a fault which you cannot remedy yourself, please contact your Miele dealer or the Miele Service Department.

Contact details for Miele are given at the back of this manual. N.B. A call-out charge will be applied to service visits where the problem could have been resolved as described in these instructions.

When contacting your dealer or Miele, please quote the model and serial number of your appliance. These are shown on the data plate.

Position of the data plate

The data plate is visible after removing the grease filters.

Guarantee: U.K.

In the U.K., the appliance is guaranteed for 2 years from the date of purchase. However, you must activate your cover by calling 0330 160 6640 or registering online at www.miele.co.uk.

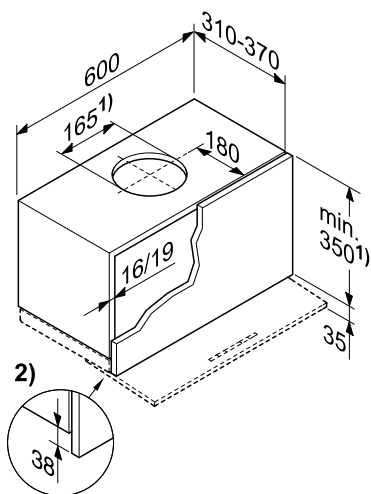
Guarantee: Other countries

For information on the appliance guarantee specific to your country please contact Miele. See end of this booklet for contact details.

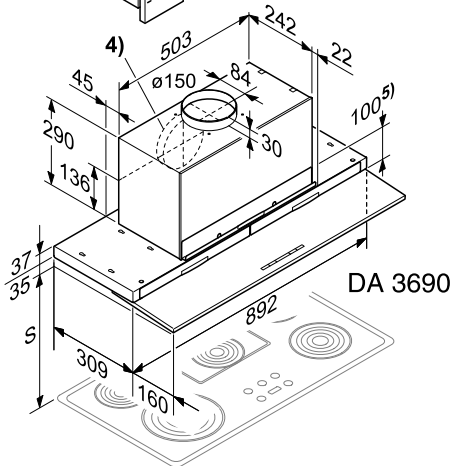
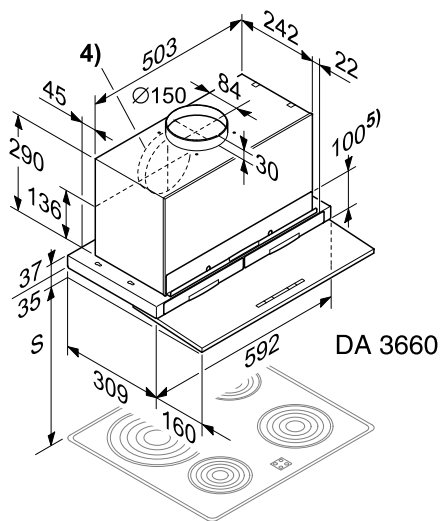
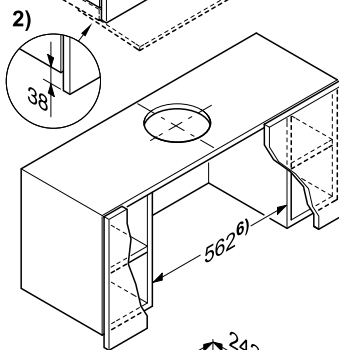
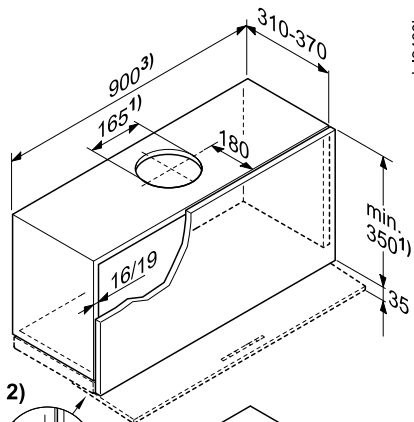
Installation

Appliance dimensions

dat3460b



dat3460a



- ① Extraction, recirculation with conversion kit DUU 150.
- ② The wall unit carcass needs to be 38 mm shorter than the wall unit door.
- ③ Installation is also possible in a 600 mm wide unit. In this case the unit door must open upwards to allow access to the grease filters. This also applies for adjacent units.
- ④ The ducting can also be connected at the back.
- ⑤ After installation the wall unit can be fitted with an interim panel. If this is done make sure that the slots for the grease filters and, for recirculation mode, the charcoal filters remain easily accessible.
- ⑥ Alternatively the wall unit can be fitted with side sections.

The height of the wall unit and cut-out dimensions must take account of any accessories fitted, e.g. silencer, DSM module.

Installation

Safety distance between hob and cooker hood (S)

When planning the installation height of your cooker hood, the minimum safety distance between the top of a cooker or hob and the bottom of the cooker hood is as follows, unless a greater distance is specified by the manufacturer of your cooking appliance.


See "Warning and Safety" instructions for further information.

Cooking appliance	Minimum distance S
Electric hob	450 mm
Electric grill, deep fat fryer (electric)	650 mm
Multi-burner gas hob, total output ≤ 12.6 kW, no burner > 4.5 kW	650 mm
Multi-burner gas hob, total output > 12.6 kW and ≤ 21.6 kW, no burner > 4.8 kW.	760 mm
Multi-burner gas hob, total output > 21.6 kW, or multi-burner gas hob where one burner > 4.8 kW.	Not possible
Single burner gas hob, output ≤ 6 kW.	650 mm
Single burner gas hob, output > 6 kW and ≤ 8.1 kW.	760 mm
Single burner gas hob, output > 8.1 kW	Not possible

Installation recommendations

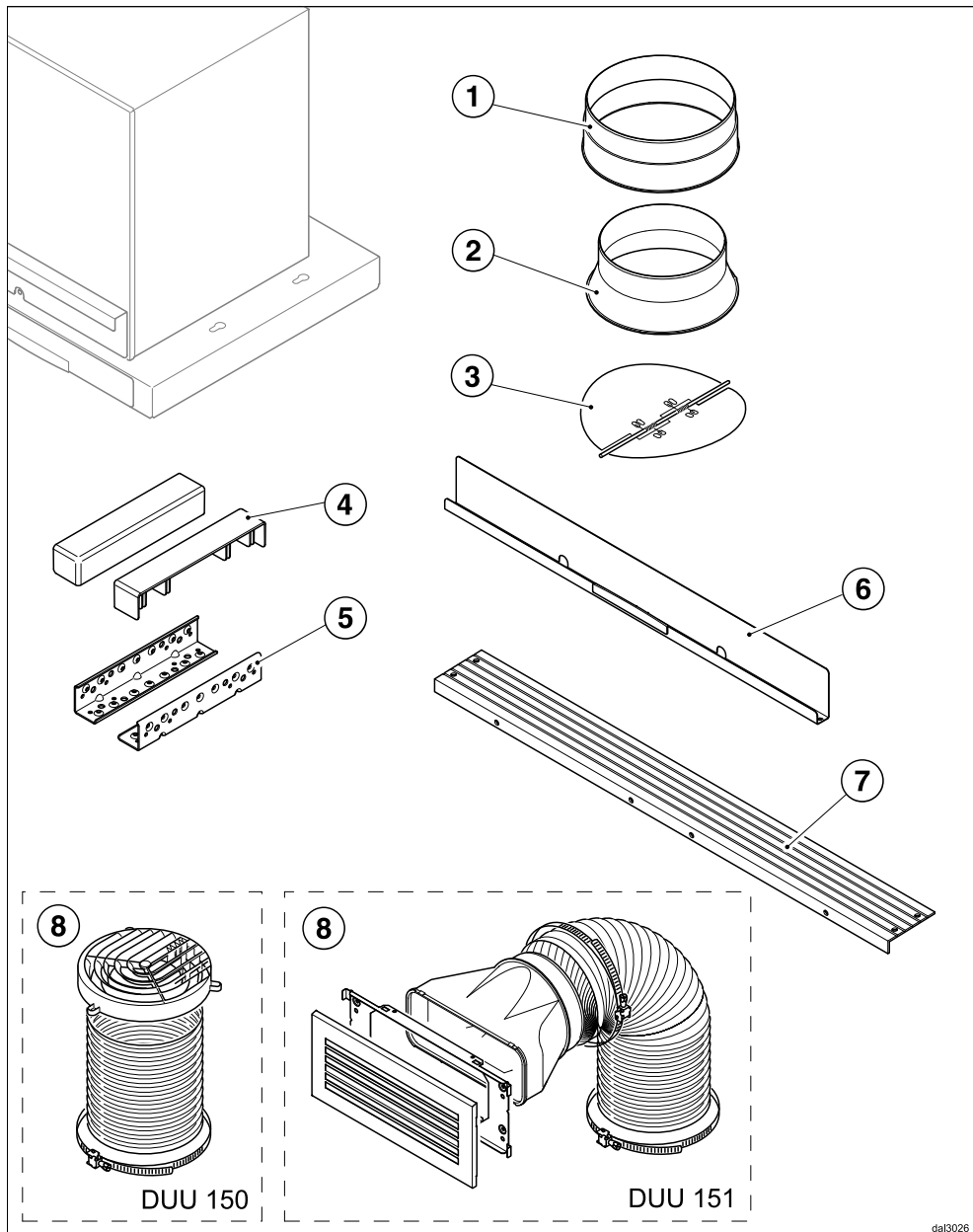
- To achieve optimum vapour extraction, the cooker hood must cover the hob. It should be positioned centrally over the hob, not to the side of it.
- The hob should be no wider than the cooker hood, and if possible, it should be narrower.
- The installation area must be easily accessible. The cooker hood should be easily accessible and easy to dismantle in the event that service is required. This should be taken into consideration when planning the position of cupboards, shelves, ceilings or features in the vicinity of the cooker hood.

Before installation

 Before installation, it is important to read the information given on the following pages as well as the "Warning and Safety instructions" at the beginning of this booklet.

Installation

Assembly parts



dai3026

- ① **1 collar** for exhaust ducting \varnothing 150 mm.
- ② **1 reducing collar** for exhaust ducting \varnothing 125 mm.
- ③ **1 non-return flap** for fitting into the exhaust socket on the motor unit (not needed for recirculation mode)
- ④ **2 covers** for the brackets.
- ⑤ **2 brackets** to support the appliance in the wall unit.
- ⑥ **1 cover** for the charcoal filter slots.
- ⑦ **1 spacer strip** to conceal the gap between the rear of the appliance and the wall.
- ⑧ **Conversion kit for recirculation mode** (the conversion kit is not supplied, but is available as an optional accessory - see "Technical data"). The kit contains an exhaust grille and flexible aluminium hose with hose clips.



12 screws 4 x 15 mm for securing the cooker hood into the wall unit.

01056271



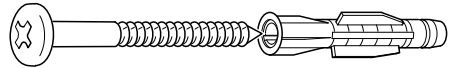
4 screws M4 x 16 mm for securing the cooker hood to the brackets and for securing the spacer strip.

07662740



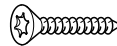
4 screws M4 x 8 mm for securing the spacer strip.

08095672



2 screws 4 x 40 mm,
2 plugs 6 x 36 mm for securing the cooker hood to the wall (only when fitting into a 900 mm wide wall unit).

569106860



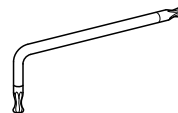
4 screws 4 x 25 mm for securing a 900 mm wide cooker hood.

07203680



4 adhesive covers to conceal the fixing holes which are not required.

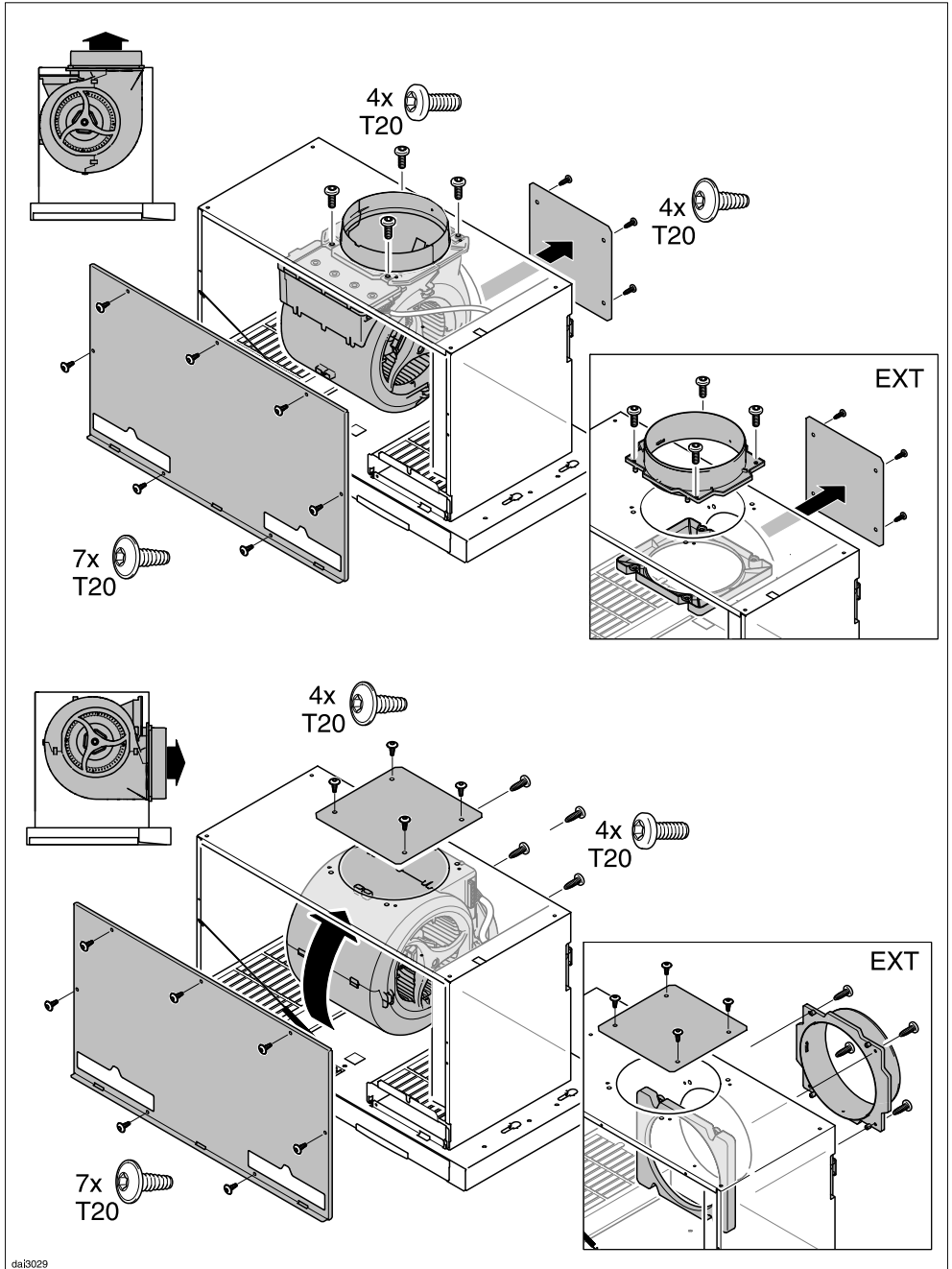
08161800



1 x T 20 angled key

08276500

Installation



dal3029

Repositioning the ducting

The motor unit can be rotated to allow the ducting to be fitted at the back of the cooker hood. This may be necessary if the cooker hood is being fitted in a reduced height wall unit, for example. Repositioning is carried out before installing the cooker hood.

The cooker hood must be disconnected from the mains.

- Undo the fixing screws on the front panel of the cooker hood housing and remove the panel.
- Undo the screws from the cover on the back of the cooker hood housing and remove the cover.
- Unscrew the fixing screws on the motor unit.
- Turn the motor unit towards the rear and position the exhaust socket in the cut-out in the back panel of the cooker hood housing. Ensure when

turning the motor unit that the connection cable does not become detached.

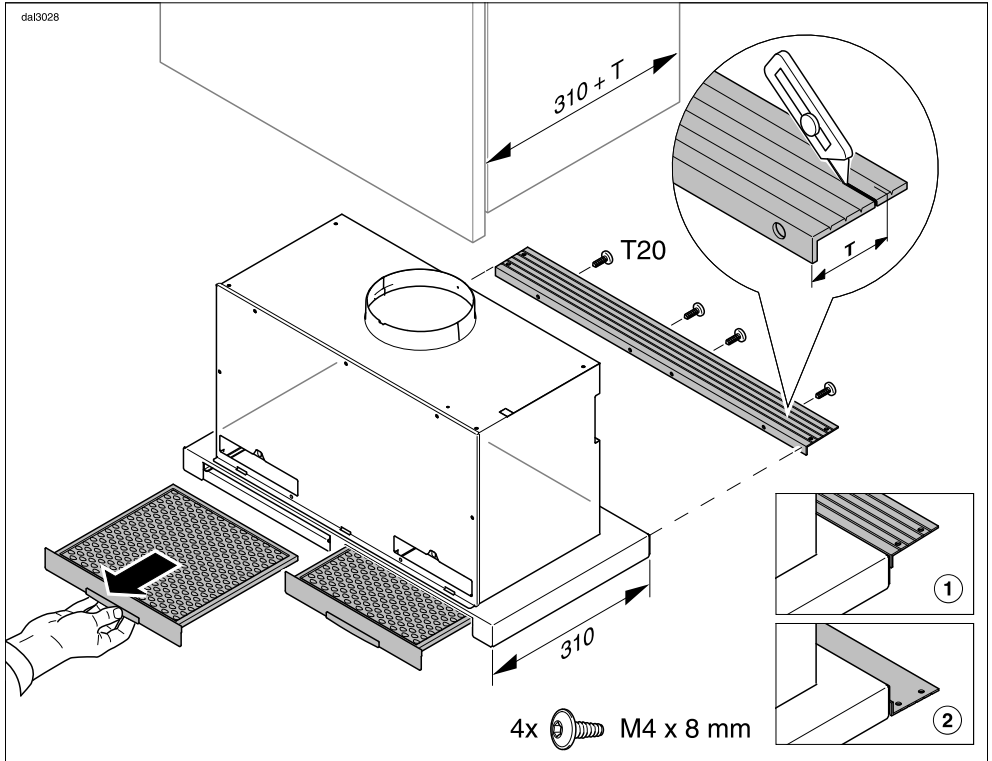
- Secure the motor unit in its new position.
- Now secure the cover taken from the back panel to the top of the housing.
- Refit the front panel and secure it using the screws.

EXT models

On appliances with an external motor (EXT models), the exhaust socket (not the motor unit) needs to be repositioned.

- Unscrew the fixing screws and pull the top and bottom sections of the socket apart.
- Position the top section of the socket over the cut-out in the back panel of the cooker hood housing and attach the bottom section to it from inside. Secure the exhaust socket with the fixing screws.

Installation



- Pull the grease filters out of the slots in the front of the cooker hood housing.

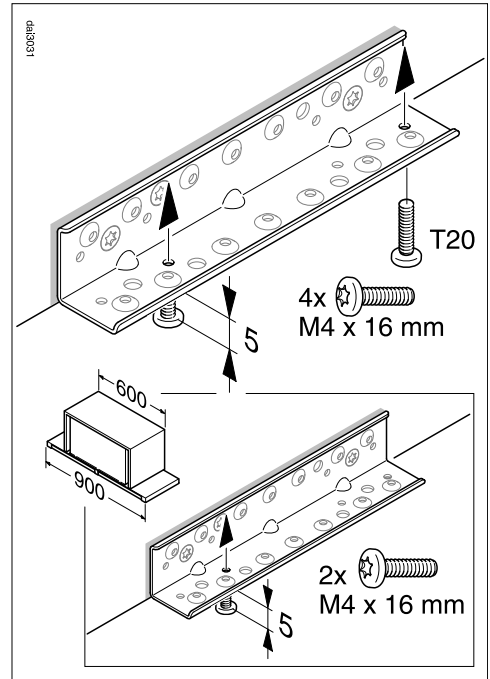
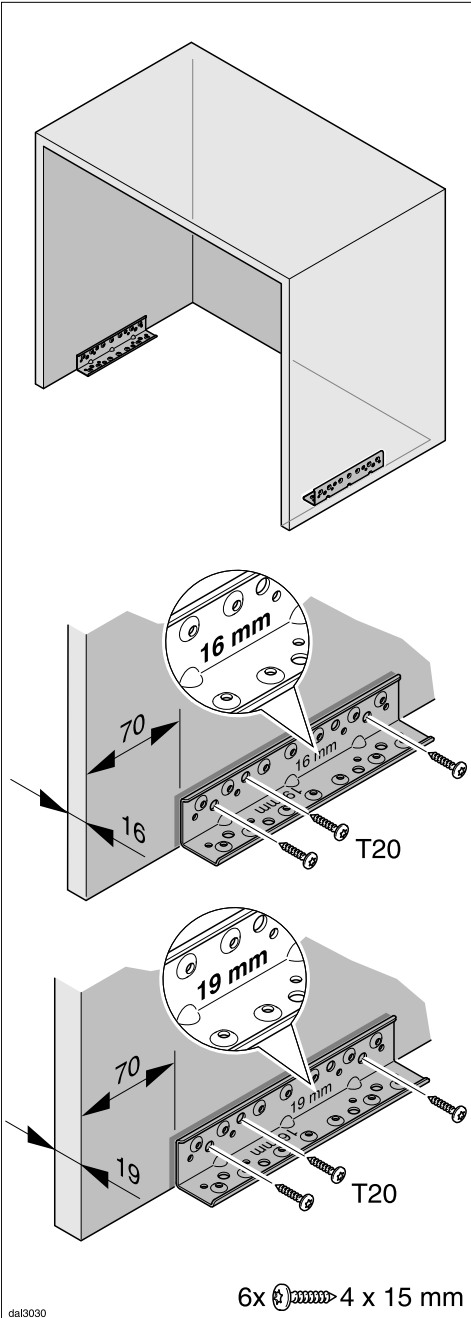
The spacer strip needs to be attached to the back of the cooker hood housing before the cooker hood is installed in the wall unit. The spacer strip can be attached to the upper ① or lower edge ② of the deflector plate.

- Calculate the measurement T for the spacer strip
- Cut the spacer strip to measurement T. Score along the groove for the smaller measurement as shown, and remove the surplus.

- Screw the spacer strip to the back of the cooker hood at the required position. Use the screws supplied. To attach the spacer strip to the lower edge ② use the screws previously removed from the housing unit.

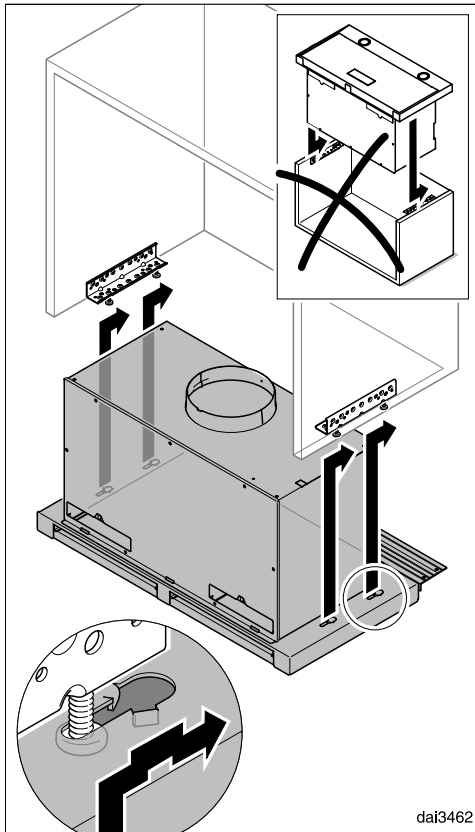
Installation

- Screw the brackets onto the right and left inside walls of the housing unit so that they are flush with the bottom edges of the unit. The brackets are designed for 16 and 19 mm thick unit sides. Orientate the bracket so that the vertical depth matches the thickness of the unit side, as shown.



- Fit the screws for attaching the cooker hood so that they protrude by about 5 mm, as shown. Only use the front screws when fitting a 900 mm wide cooker hood in a 600 mm wide wall unit.

Installation



Before connecting the cooker hood to the electricity supply, please see "Electrical connection" and "Warning and Safety instructions".

- Connect the cooker hood to the electricity supply.
- Press the "+" button on the remote control.

The motor switches on, the deflector plate comes out.

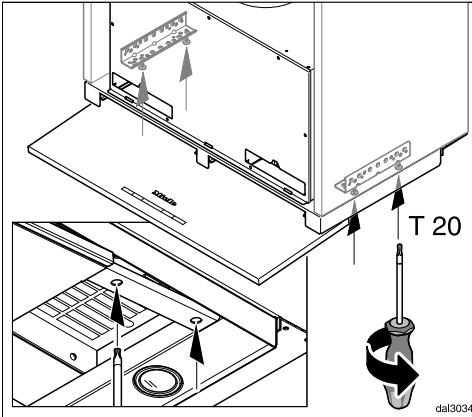
- When the deflector plate is extended, disconnect the cooker hood from the electricity supply.

The motor will switch off, the deflector plate remains extended.

For safety reasons it is essential that the cooker hood is only fitted into a wall unit which is already installed. It cannot be fitted into the wall unit before the wall unit is installed.

- Fit the cooker hood into the wall unit from below. Guide it back over the safety notch until it is correctly hung in the wall unit.

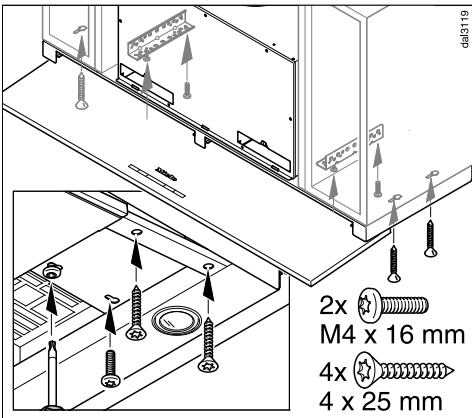
To secure the cooker hood in the wall unit, the deflector plate must be extended. Electrical connection is required to do this.



- Press the On/Off control ① on the cooker hood or the "—" control on the remote control repeatedly until the fan switches off.

The motor will switch off. The deflector plate goes back in.

- Tighten the four fixing screws from below.

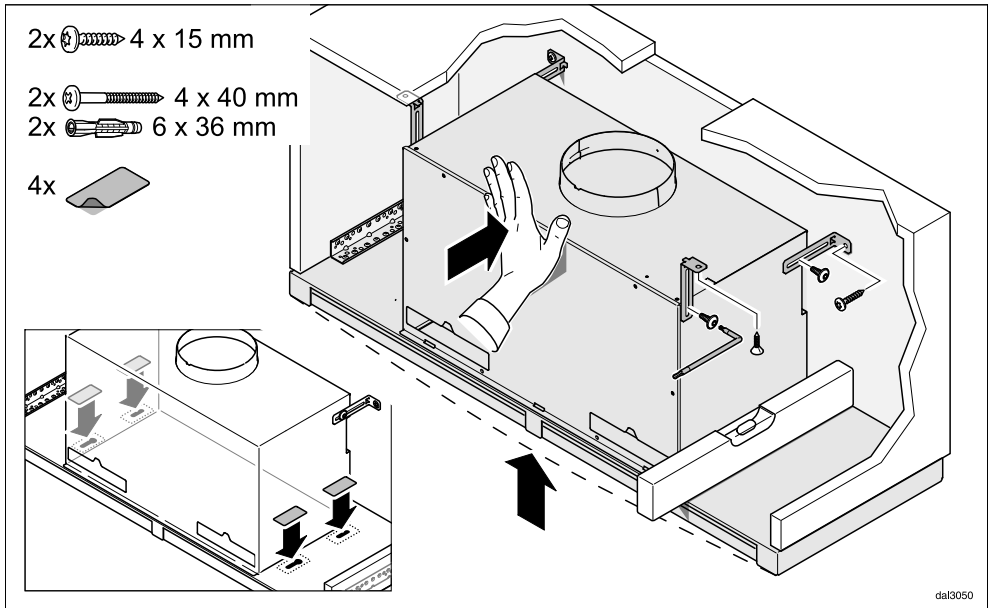


- When fitting a 900 mm wide cooker hood in a 600 mm wide wall unit, insert the two rear screws at this stage.
If the wall unit has side sections, you will also need to secure it to the base on either side.

- Reconnect the cooker hood to the electricity supply.

The motor will switch on again.

Installation



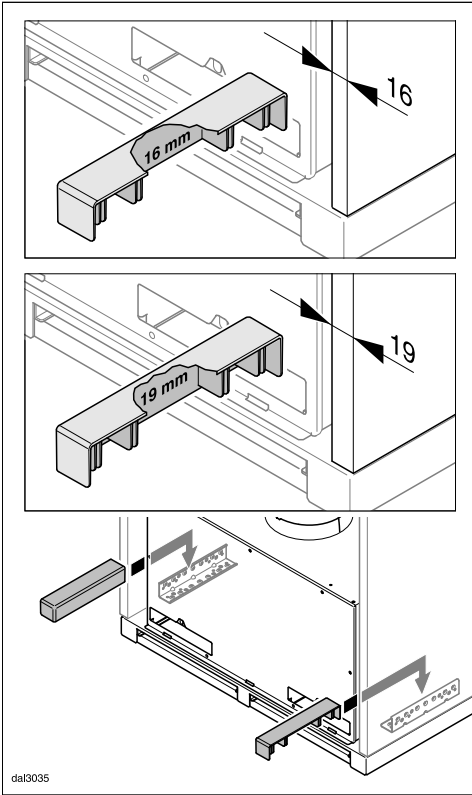
When fitting a 900 mm wide cooker hood into a 900 mm wide housing unit without side base supports, the retaining brackets supplied are used to align the cooker hood and provide additional support. The retaining brackets are secured to the back panel of the wall unit.

If the wall unit does not have a solid back panel, the cooker hood can be secured directly to the wall using the screws and plugs supplied.

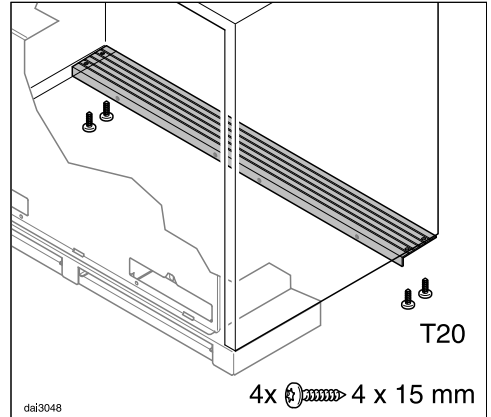
An angled key is supplied in case the screws are difficult to access.

- Loosen the retaining bracket screws and push the brackets back against the rear wall.
- Align the cooker hood and mark the position of the fixing holes in the wall unit.
- Now secure the brackets to the wall unit.

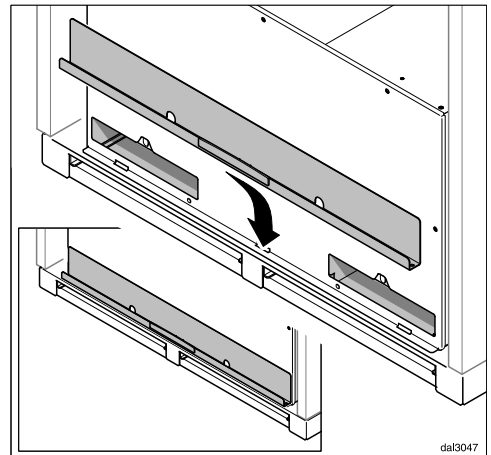
- Realign the cooker hood and tighten up the screws on the casing.
- Alternatively, the retaining brackets can be secured to the top of the housing unit. To do this, secure the retaining brackets to the front fixing points on the casing.
- Use the adhesive covers supplied to conceal the fixing holes on the deflector plate which are not used.



- The covers for the brackets are designed for 16 mm and 19 mm thick unit sides. Turn the covers so that they are in the appropriate position and fit them onto the brackets.

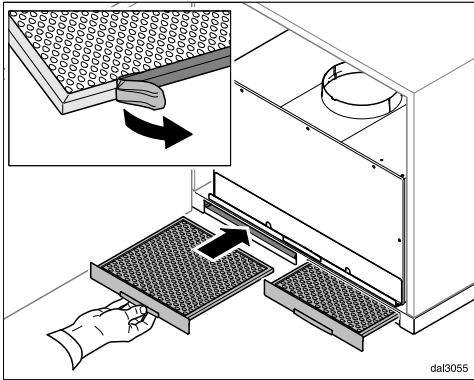


- Secure the spacer strip to the bottom of the wall unit as well.



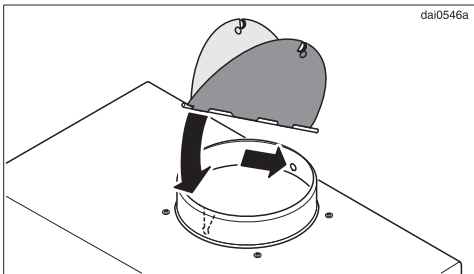
- Insert the cover for the charcoal filter slots as shown and close it. It is held in place by magnets.

Installation

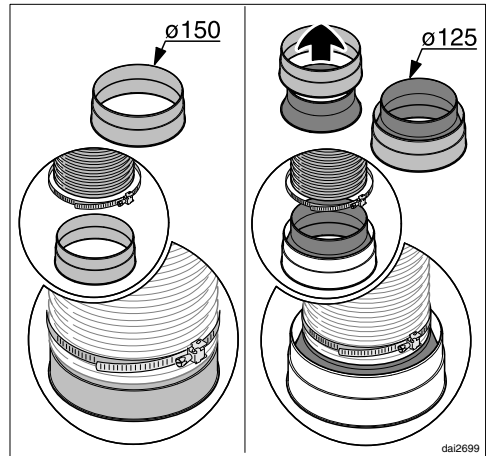


- Take the grease filters out and remove any protective foil. Replace the grease filters.

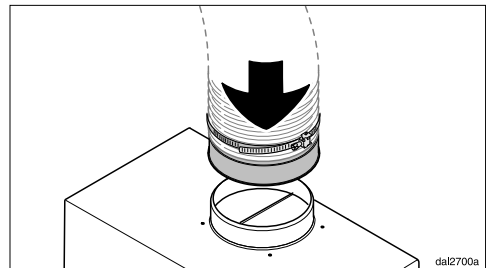
Exhaust socket



- Insert the non-return flap, if required. Make sure that it opens easily and closes again by itself.



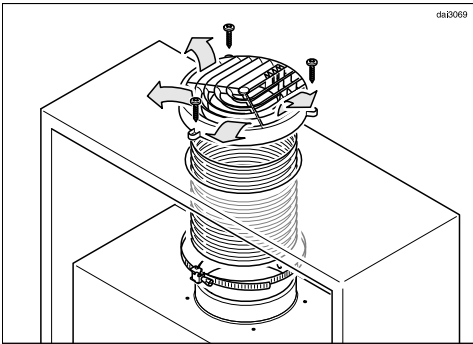
- Attach the exhaust ducting, e.g. flexible hose, to the exhaust socket using a hose clip (available as an optional accessory). When using Ø 125 mm ducting, fit the reducing collar supplied into the exhaust socket (see "Connection for air extraction").



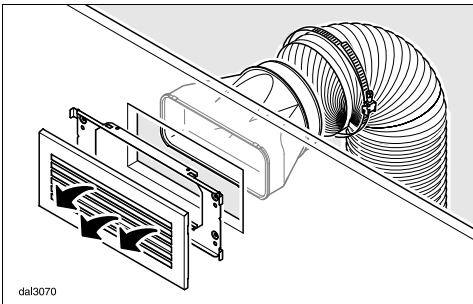
- Attach the exhaust ducting to the exhaust socket on the cooker hood.
- See "Connection for air extraction" for further instructions on fitting the ducting.

Setting up for recirculation mode

If site conditions are not suitable for the cooker hood to be used with air extraction, the appliance must be set up for recirculation. A conversion kit, available through your dealer or from Miele is required for operating the cooker hood in recirculation mode. You will also need two charcoal filters (see "Technical data").



Conversion kit DUU 150 with a plastic grille is suitable for fitting in a non-visible area at the top of the wall unit.



Conversion kit DUU 151 with a stainless steel grille is recommended if the grille is to be fitted in an area which is visible.

- Fit the conversion kit as described in the installation instructions supplied with the kit. Make sure that the slats in the exhaust grille point towards the centre of the room and not towards a wall or the ceiling. A non-return flap is not used in recirculation mode.
- Fit the charcoal filters (see "Cleaning and care").

Electrical connection

Refer to the notes in "Electrical connection" and "Warning and Safety instructions" before connecting to the electricity supply.

- For appliances connected to an external motor (EXT models): Connect the cooker hood and the external motor using the connection cable and the six-pole plug connector.
- Connect the cooker hood to the electricity supply.

Electrical connection

All electrical work should be undertaken by a suitably qualified and competent person in strict accordance with current national and local safety regulations (BS 7671 in the UK).

Installation, repairs and other work by unqualified persons could be dangerous, for which the manufacturer cannot be held liable. Ensure power is not supplied to the appliance until after installation or repair work has been carried out. Do not connect the appliance to the mains electricity supply by an extension lead. These do not guarantee the required safety of the appliance.

The connection data is given on the data plate. This is visible when the grease filters have been removed. Ensure that this data matches the household mains supply.

Connection of this appliance should be made via a suitable isolator or a double pole fused spur connection unit which complies with national and local safety regulations and the On-Off switch should be easily accessible after the appliance has been built in. When switched off there must be an all-pole contact gap of 3 mm in the switch (including switch, fuses and relays according to EN 60335).

If the switch is not accessible after installation (depending on country), an additional means of disconnection must be provided for all poles. For extra safety it is advisable to protect the appliance with a suitable residual current device (RCD). Contact a qualified electrician for advice.

Important

This appliance is supplied for connection to an a.c. 230 V single phase 50 Hz supply. The wires in the mains lead are coloured in accordance with the following code:

Green/yellowearth
Blue.....neutral
Brownlive

**WARNING:
THIS APPLIANCE MUST BE
EARTHED**

Connection for air extraction

⚠ If the cooker hood is used at the same time as a heating appliance that relies on oxygen from the same room, there is a risk in certain circumstances of toxic fumes building up.

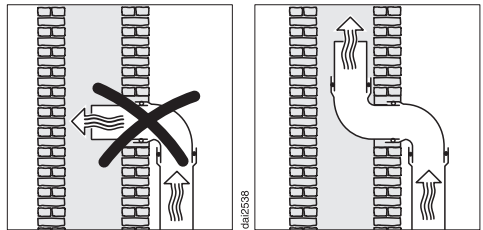
It is essential that the "Warning and Safety" instructions are observed.

The cooker hood should be installed according to local and national building regulations. Seek approval from the building inspector where necessary.

- Ensure that all connections are strong and airtight.

Remember that any constriction of the air flow will reduce extraction performance and increase operating noise.

- If the exhaust is ducted through an outside wall, a telescopic wall vent or a roof vent (available as an optional accessory) is recommended.

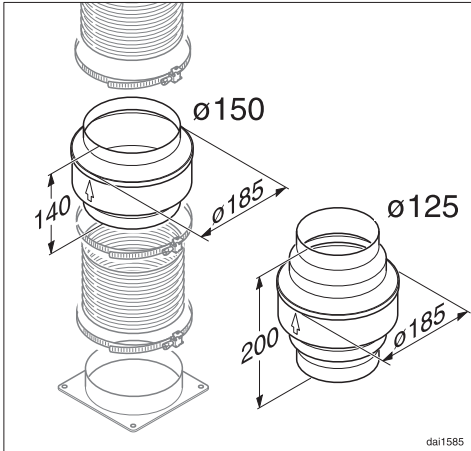


- Use smooth or flexible ducting made from approved non-flammable materials for exhaust ducting.
- When using an external motor, make sure that the exhaust ducting is sufficiently rigid. The external motor can cause an underpressure which can result in the exhaust ducting distorting.
- To achieve the most efficient air extraction with the lowest noise levels, please note the following:
 - To ensure efficient air extraction, the diameter of the exhaust ducting should not be less than 150 mm.
 - If flat ducting is being used, the cross section must not be smaller than the cross sectional area of the exhaust socket.
 - The exhaust ducting should be as short and straight as possible.
 - Only use wide radius bends.
 - The exhaust ducting must not be kinked or compressed.

- If the exhaust air is to be ducted into a flue, the ducting must be directed in the flow direction of the flue.
- When ducting is horizontal it must be laid to slope away at at least 1 cm per metre. This is to ensure that condensate cannot drain back into the appliance.
- If the exhaust ducting is to run through rooms, ceiling space etc. where there may be great variations in temperature between the different areas, the problem of condensation will need to be addressed. The exhaust ducting will need to be suitably insulated.

Connection for air extraction

Condensate trap



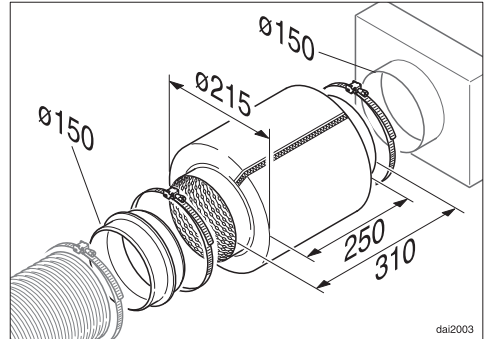
In addition to insulating the exhaust ducting, we recommend that a suitable condensate trap is also installed to collect and evaporate any condensate which may occur.

Condensate traps for 125 mm or 150 mm ducting are available as optional accessories.

- When installing a condensate trap, ensure that it is positioned vertically and if possible directly above the exhaust socket. The arrow on the housing indicates the direction of air-flow.

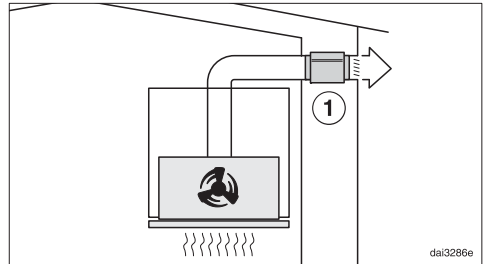
A condensate trap is integrated in cooker hoods which are designed for connection to an external motor (model.....EXT).

Silencer



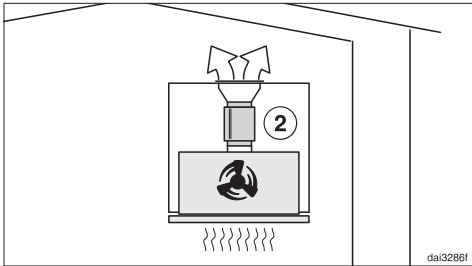
To achieve even further reductions in noise levels, a special silencer (optional accessory) can be fitted in the ducting system.

Extraction mode



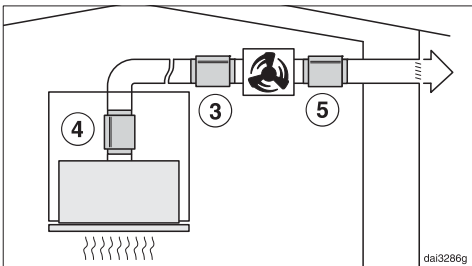
The silencer not only reduces noise from the motor outside the house, but also sounds from outside (e.g. traffic noise). For this reason the silencer must be positioned as close as possible to the ducting exit ①.

Recirculation mode



The silencer needs to be positioned between the exhaust socket and the directional unit (2). Ensure there is adequate space for fitting it.

Extraction mode with external motor



To minimise noise from the motor in the kitchen, the silencer should be positioned in front of the external motor (3) if possible, or, if the ducting is long, above the exhaust socket on the cooker hood (4). In the case of an external motor located inside the house, fitting a silencer behind the external motor (5) reduces the noise of the motor outside the house.

Activating Con@ctivity 2.0

Installing the Con@ctivity 2.0 Stick

In order to use the Con@ctivity 2.0 function, the hob must first be fitted with the Con@ctivity 2.0 Stick.

- Please read the separate installation instructions supplied with the Con@ctivity 2.0 Stick.

Activating Con@ctivity 2.0

Wireless connection must be activated between the hob and the cooker hood before the Con@ctivity 2.0 function can be used.

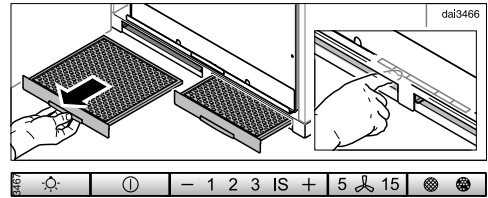
Both appliances must be installed and operational.

Wireless connection must be activated on the cooker hood and the hob at the same time. Activation on the cooker hood is described below.

Activation on the hob is described in the relevant Operating and installation instructions. Please refer to the Operating instructions before starting. Activate the cooker hood first, then the hob.


Activating the cooker hood

Signing on/off is carried out with the deflector plate retracted.



- Remove the grease filters.

The controls are accessible via the slots for the grease filters.

- The hob and cooker hood must be switched off.
- Press the run-on option control **5 15** for approx. 10 seconds until the indicator for power level **1** lights up.
- Then press in turn,
 - the "–" control,
 - then the "+" control,
 - then the lighting control .


If the remote control is already activated, **2** and **3** will light up constantly. If there is no wireless connection **2** and **3** will flash at the same time.

- To activate Con@ctivity 2.0, press the "+" control.

The search for a signal will start.

- Meanwhile, start activating the hob.

Activating the hob

- **While** the cooker hood is searching for a signal, start activating the hob. More information about this can be found in the Operating instructions for the hob.
- When the hob registers that connection has been established, confirm activation on the cooker hood with the run-on option control **5**  **15**. All indicators will go out.
- Confirm activation on the hob.

Con@ctivity 2.0 is now ready to use.

If you do not confirm within 4 minutes, activation will not take place.

You only need to carry out the activation procedure once. If the appliances are disconnected from the electricity supply, during a power cut for example, they will still remain activated.

Activation failed

- If connection cannot be established despite activating the Con@ctivity function on the cooker hood and hob, the function must be deactivated on both appliances and then the procedure repeated.

Deactivating Con@ctivity 2.0

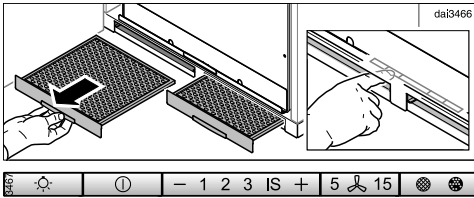
- Deactivation on the cooker hood is carried out in the same way as activation, by selecting "-" instead of "+".
- To deactivate the hob, please refer to the Operating instructions supplied with it.

Please bear in mind that disabling the signal will also disable any remote control function and this will have to be activated again.

Signing on/off the remote control

If the connection has been lost between the remote control and the cooker hood, they must be signed on again. To do this, the remote control function on the cooker hood and the remote control must be signed off first of all.

Signing on/off is carried out with the deflector plate retracted.



- Remove the grease filters.

The controls are accessible via the slots for the grease filters.

Signing on and off must be done at the same time on the cooker hood and the remote control. Signing on/off mode has to be accessed on the cooker hood first, then on the remote control.

To access Signing on/off mode on the cooker hood

- Press the run-on option control **5** **15** for approx. 10 seconds until the indicator for power level **1** lights up.
- Then press in turn,
 - the "—" control,
 - then the "+" control,
 - then the lighting control .
- Then access the Signing on/off mode on the remote control immediately.

To access Signing on/off mode on the remote control

- Press both arrow controls ∇/\wedge at the same time and hold for about 5 seconds until the remote control LED flashes.
- Press the lighting control .


To sign off

- In Signing on/off mode press the "—" control on the cooker hood and then on the remote control.

The remote control LED will flash steadily.

After approx. 10 seconds the remote control LED will flash on and off twice with a longer interval between the flashes. The remote control has now been signed off. The LED will go out after a short while.

Signing on/off the remote control

- Confirm the signing off procedure by pressing the run-on option control **5**  **15** on the cooker hood. All indicators will go out.


Please bear in mind that disabling the signal will also disable any Con@ctivity 2.0 function and this will have to be activated again.

To start the signing on procedure

- In Signing on/off mode press the "+" control on the cooker hood **first** and then on the remote control.

The search for a signal will commence. The remote control LED will flash steadily.


After approx. 30 seconds the remote control LED will flash on and off 4 times at short intervals. The connection has been established. The LED will go out after a short while.

- Confirm signing on with the cooker hood run-on option control **5**  **15**. All indicator lights will go out.

The remote control can now be used.

If you do not confirm your selection within 4 minutes, activation will not take place.

To cancel the signing on procedure

- If it is not possible to sign on the procedure can be cancelled by pressing the run-on option control **5**  **15** on the cooker hood and on the remote control.
- The signing on procedure must then be repeated. To do this the cooker hood and the remote control must first be signed off.

Technical data

Fan motor*	90 W
Hob lighting	
DA 3660	2 x 4,5 W
DA 3690	3 x 4,5 W
Total connected load*	
DA 3660	99 W
DA 3690	103,5 W
Voltage, frequency	AC 230 V, 50 Hz
Fuse rating	5 A
Mains connection cable length	1.5 m
Weight	
DA 3660	16 kg
DA 3690	19 kg
DA 3660 EXT	13 kg
DA 3690 EXT	16 kg

* For EXT models, the connected load and extraction power will depend on the type of external motor fitted.

Length of connection cable to external motor: 1.9 m

Special accessories for recirculation mode:

Conversion kit DUU 150 or DUU 151 and Miele charcoal filter set DKF 19. Contains two charcoal filters.

Conformity declaration

Miele hereby declares that the cooker hoods listed at the end of this booklet comply with the basic requirements and other relevant regulations of Guideline 1999/5/EC.

A copy of the full Declaration of Conformity can be obtained from the address at the end of this booklet.

Data sheet for domestic cooker hoods

In acc. with delegated regulation (EU) No. 65/2014 and regulation (EU) No. 66/2014

MIELE	
Model name / identifier	DA 3660
Annual Energy Consumption (AEC_{hood})	31,5 kWh/year
Energy efficiency class	
A+ (most efficient) to F (least efficient)	A+
Energy efficiency index (EEl_{hood})	41,5
Fluid Dynamic Efficiency (FDE_{hood})	36,8
Fluid Dynamic Efficiency class	
A (most efficient) to G (least efficient)	A
Lighting Efficiency (LE_{hood})	46,7 lx/W
Lighting Efficiency class	
A (most efficient) to G (least efficient)	A
Grease Filtering Efficiency	82,8 %
Grease Filtering Efficiency class	
A (most efficient) to G (least efficient)	C
Airflow at best efficiency point	333,0 m ³ /h
Air flow (min. speed)	220 m ³ /h
Air flow (max. speed)	400 m ³ /h
Air flow (intensive or boost setting)	640 m ³ /h
Max. air flow (Q_{max})	640 m ³ /h
Air pressure at best efficiency point	402 Pa
Airborne acoustical A-weighted sound power emissions (min. speed)	39 dB
Airborne acoustical A-weighted sound power emissions (max. speed)	51 dB
Airborne acoustical A-weighted sound power emissions (intensive or boost setting)	63 dB
Electrical power input at best efficiency point	101,0 W
Power consumption in off mode (P_o)	W
Power consumption in standby mode (P_s)	0,15 W
Nominal power of lighting system	9,0 W
Average illumination of the lighting system on the cooking surface	420 lx
Time increase factor	0,7

Technical data

Data sheet for domestic cooker hoods

In acc. with delegated regulation (EU) No. 65/2014 and regulation (EU) No. 66/2014

MIELE	
Model name / identifier	DA 3690
Annual Energy Consumption (AEC_{hood})	34,7 kWh/year
Energy efficiency class	
A+ (most efficient) to F (least efficient)	A+
Energy efficiency index (EEl_{hood})	44,4
Fluid Dynamic Efficiency (FDE_{hood})	36,8
Fluid Dynamic Efficiency class	
A (most efficient) to G (least efficient)	A
Lighting Efficiency (LE_{hood})	40,0 lx/W
Lighting Efficiency class	
A (most efficient) to G (least efficient)	A
Grease Filtering Efficiency	82,8 %
Grease Filtering Efficiency class	
A (most efficient) to G (least efficient)	C
Airflow at best efficiency point	333,0 m ³ /h
Air flow (min. speed)	220 m ³ /h
Air flow (max. speed)	400 m ³ /h
Air flow (intensive or boost setting)	640 m ³ /h
Max. air flow (Q_{max})	640 m ³ /h
Air pressure at best efficiency point	402 Pa
Airborne acoustical A-weighted sound power emissions (min. speed)	39 dB
Airborne acoustical A-weighted sound power emissions (max. speed)	51 dB
Airborne acoustical A-weighted sound power emissions (intensive or boost setting)	63 dB
Electrical power input at best efficiency point	101,0 W
Power consumption in off mode (P_o)	W
Power consumption in standby mode (P_s)	0,15 W
Nominal power of lighting system	13,5 W
Average illumination of the lighting system on the cooking surface	540 lx
Time increase factor	0,7

United Kingdom

Miele Co. Ltd.
Fairacres, Marcham Road
Abingdon, Oxon, OX14 1TW
Customer Contact Centre Tel: 0330 160 6600
E-mail: mielecare@miele.co.uk
Internet: www.miele.co.uk

Australia

Miele Australia Pty. Ltd.
ACN 005 635 398
ABN 96 005 635 398
1 Gilbert Park Drive, Knoxfield, VIC 3180
Tel: 1300 464 353
Internet: www.miele.com.au

China

Miele (Shanghai) Trading Ltd.
1-3 Floor, No. 82 Shi Men Yi Road
Jing' an District
200040 Shanghai, PRC
Tel: +86 21 6157 3500, Fax: +86 21 6157 3511
E-mail: info@miele.cn, Internet: www.miele.cn

Miele (Hong Kong) Limited

41/F - 4101, Manhattan Place
23 Wang Tai Road
Kowloon Bay, Hong Kong
Tel: (852) 2610 1331, Fax: (852)2610 1013
Email: mielehk@miele.com.hk

India

Miele India Pvt. Ltd.
Ground Floor, Copia Corporate Suites
Plot No. 9, Jasola
New Delhi - 110025
Tel: 011-46 900 000, Fax: 011-46 900 001
E-mail: customercare@miele.in, Internet: www.miele.in

Ireland

Miele Ireland Ltd.
2024 Bianconi Avenue
Citywest Business Campus, Dublin 24
Tel: (01) 461 07 10, Fax: (01) 461 07 97
E-Mail: info@miele.ie, Internet: www.miele.ie

Manufacturer: Miele & Cie. KG

Carl-Miele-Straße 29, 33332 Gütersloh, Germany

Miele

Malaysia

Miele Sdn Bhd
Suite 12-2, Level 12
Menara Sapura Kencana Petroleum
Solaris Dutamas No. 1, Jalan Dutamas 1
50480 Kuala Lumpur, Malaysia
Phone: +603-6209-0288
Fax: +603-6205-3768

New Zealand

Miele New Zealand Limited
IRD 98 463 631
Level 2, 10 College Hill
Freemans Bay, Auckland 1011, NZ
Tel: 0800 464 353
Internet: www.miele.co.nz

Singapore

Miele Pte. Ltd.
163 Penang Road
04 - 03 Winsland House II
Singapore 238463
Tel: +65 6735 1191, Fax: +65 6735 1161
E-Mail: info@miele.com.sg
Internet: www.miele.sg

South Africa

Miele (Pty) Ltd
63 Peter Place, Bryanston 2194
P.O. Box 69434, Bryanston 2021
Tel: (011) 875 9000, Fax: (011) 875 9035
E-mail: info@miele.co.za
Internet: www.miele.co.za

United Arab Emirates

Miele Appliances Ltd.
P.O. Box 11 47 82
Gold & Diamond Park, Sheikh Zayed Road
Building 6 / Offices Nos. 6-214 to 6-220
Dubai
Tel: +971-4-341 84 44
Fax: +971-4-341 88 52
E-Mail: info@miele.ae
Internet: www.miele.ae

DA 3660
DA 3690
DA 3660 EXT
DA 3690 EXT



en-GB

M.-Nr. 09 885 260 / 02